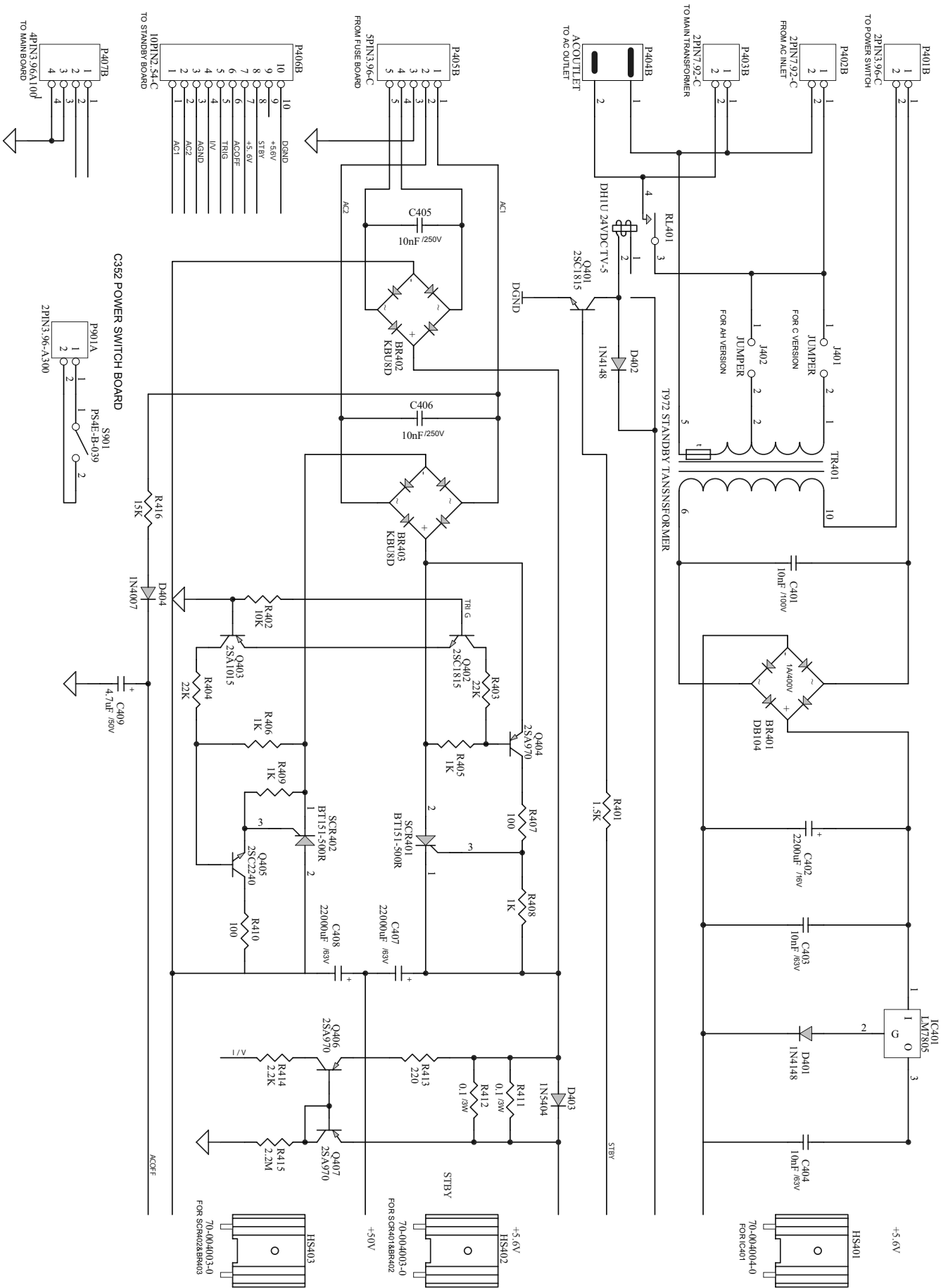
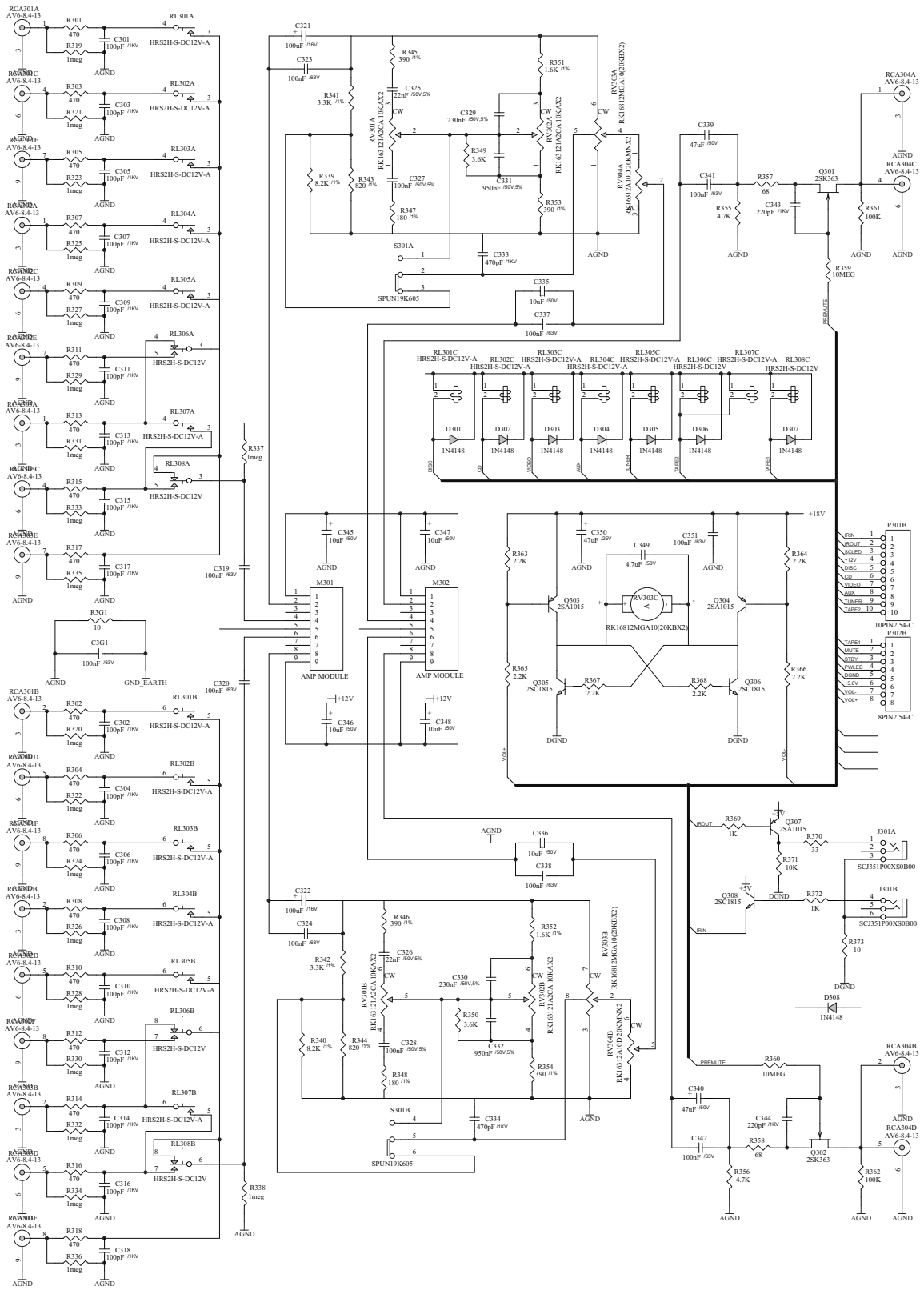


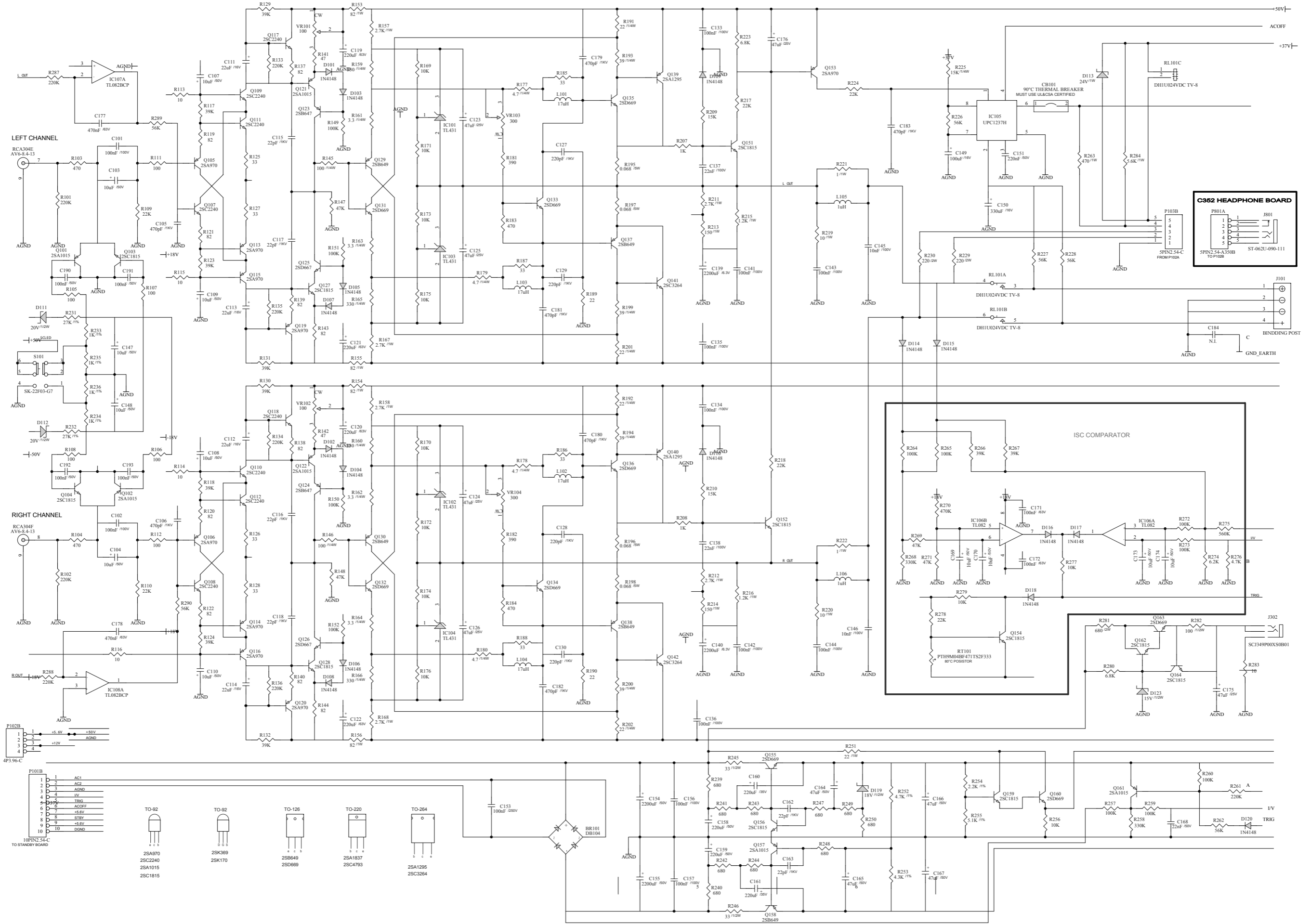
POWER SUPPLY



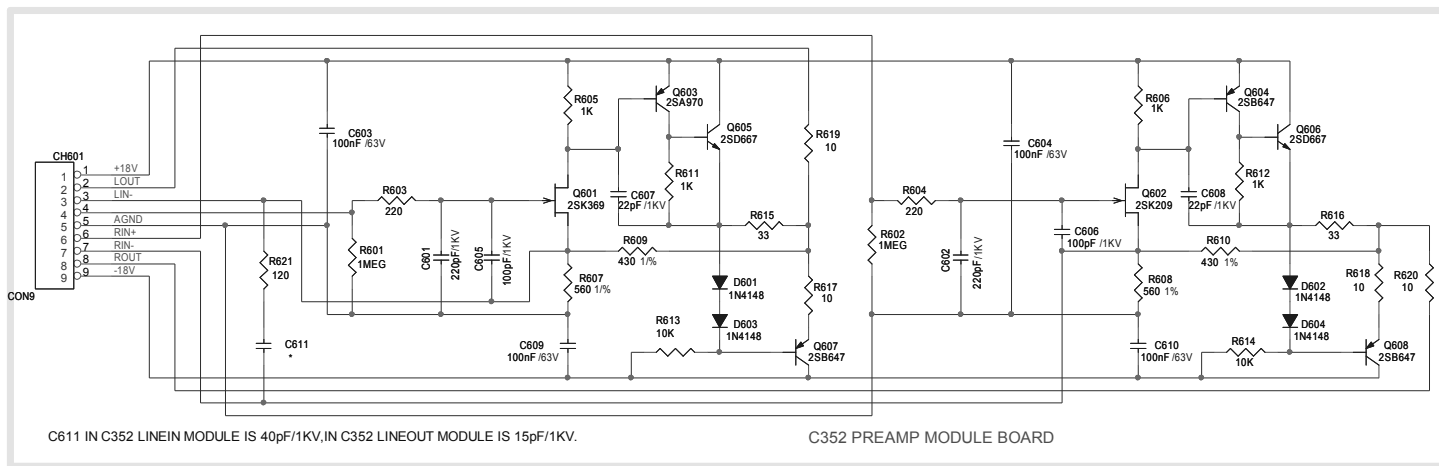
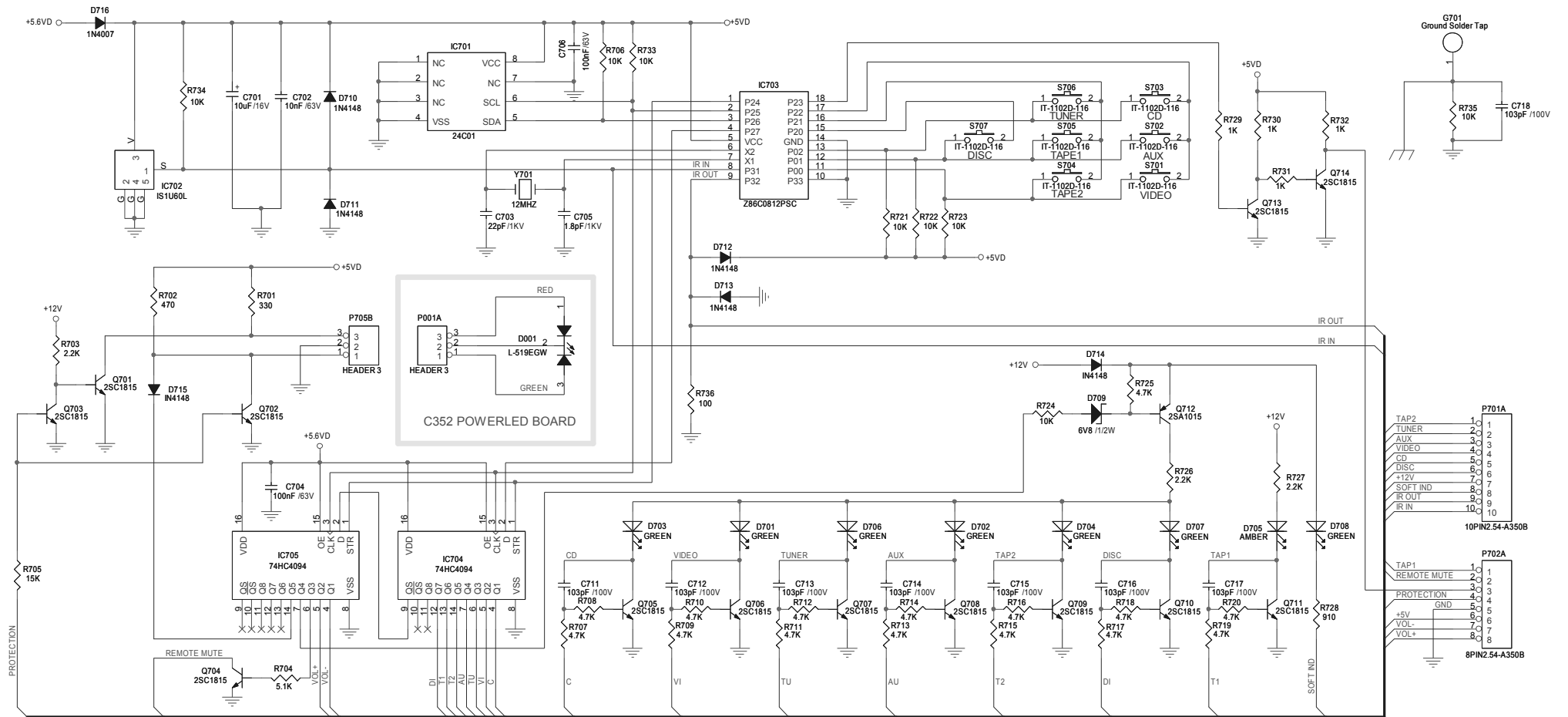
INPUT & PREAMPLIFIER



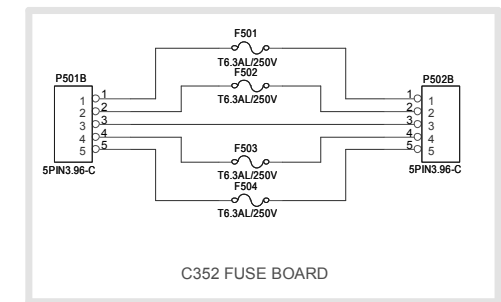
POWER AMPLIFIER AND PROTECT



KEYBOARD & LINE IN / OUT MODULES



C352 PREAMP MODULE BOARD



C352 FUSE BOARD

EXPLODED VIEW

